

EASY GREENHOUSES

SOUTH AFRICA

GRO GARDENER



DIY Assembly - Manual included, no special tools required



UV Resistant - UV Coated polycarbonate panels



Galvanised steel base, aluminium frame with stainless steel bolts & nuts



Temperature Control - Provides insulation & light diffusion.



Wind & Hail Resistant - 6mm twin walled polycarbonate panels



Sustainable, strong, durable & long lasting



www.easygreenhouses.co.za



sales@easygreenhouses.co.za

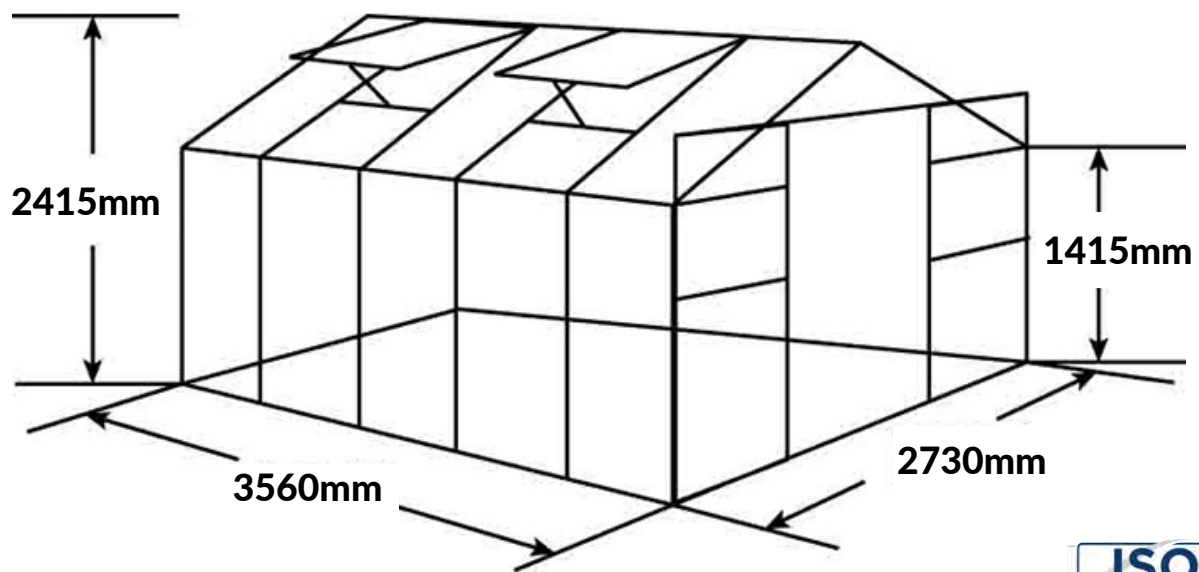


+27827776681

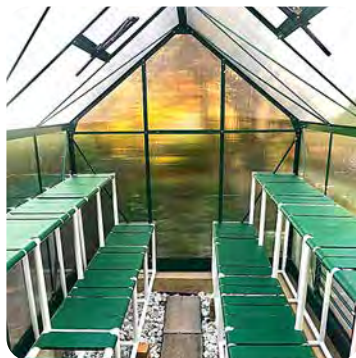
GRO GARDENER GREENHOUSE

KEY ADVANTAGES & SPECIFICATIONS

- Vertical walls for optimal growing area
- Gutters for collecting rainwater
- UV coated 6mm twin walled polycarbonate panels, provides insulation and light diffusion
- No glass to shatter or break
- 4 x roof vents and double sliding door
- Easy to follow step by step instructions
- The polycarbonate panels are hail, snow and frost resistant to protect your flowers, plants, succulents or crops
- Sturdy, rust-resistant aluminium frame
- Maintenance-free design
- Manufactured to ISO 9001 standards
- Can be easily moved & relocated
- **Available Accessories:** Automatic roof vent openers & side wall louvers (optional extra)



All measurements in mm
*Approx. dimensions



Countrywide shipping available



www.easygreenhouses.co.za



sales@easygreenhouses.co.za



+27827776681

GRO GARDENER EXTENSION KIT



KEY ADVANTAGES & SPECIFICATIONS

- The Extension Kit extends the greenhouse length by 2,78M at a time
- You can add on as many extensions as you like in order to increase the overall length of the Greenhouse
- The extension can be added on at the time of assembly or at a later stage.

- **Includes:**

- Base frame extension
- 2 x roof vents
- 1 x side louver

- **Extra Accessories Available:**

- Automatic roof vent openers
- Side wall louvers

